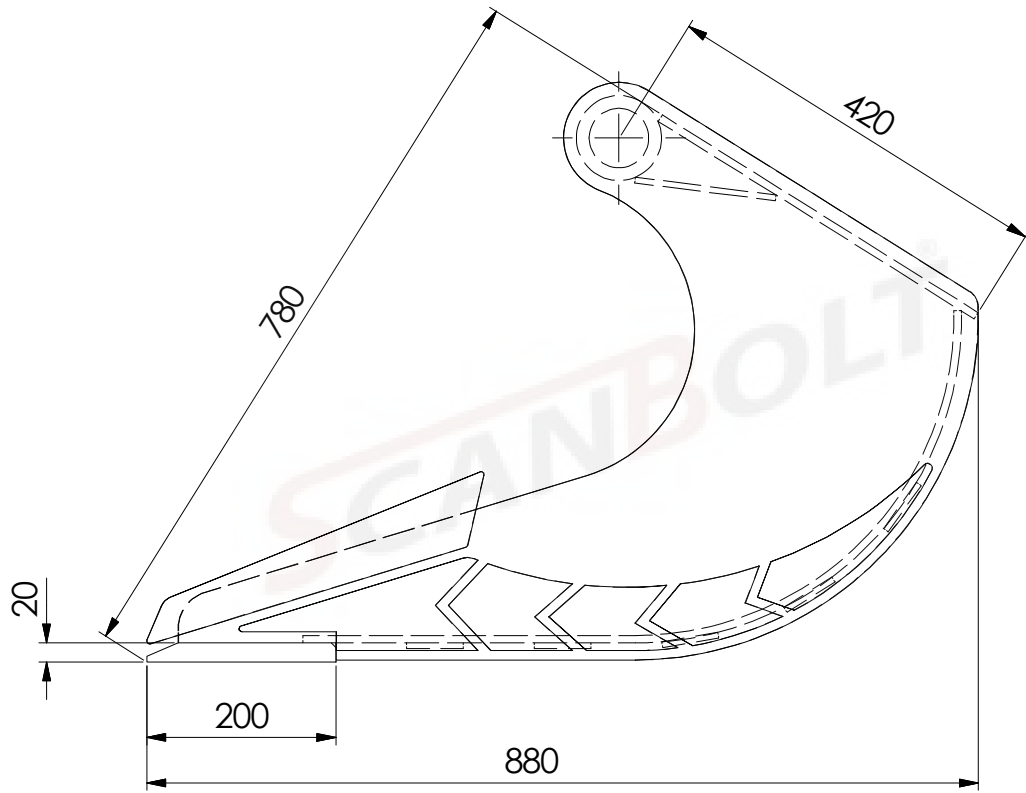
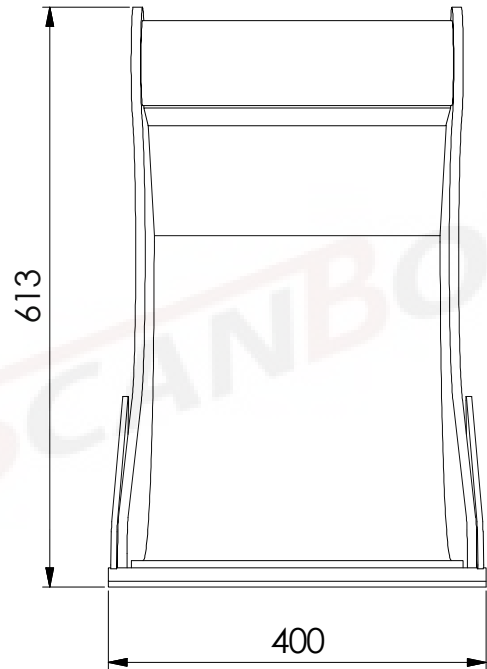
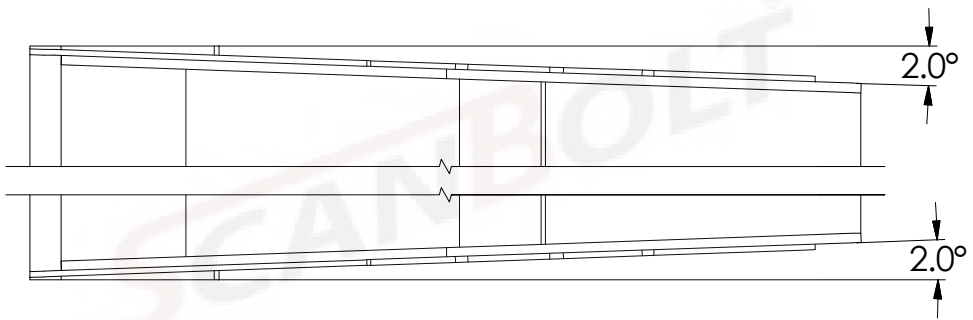
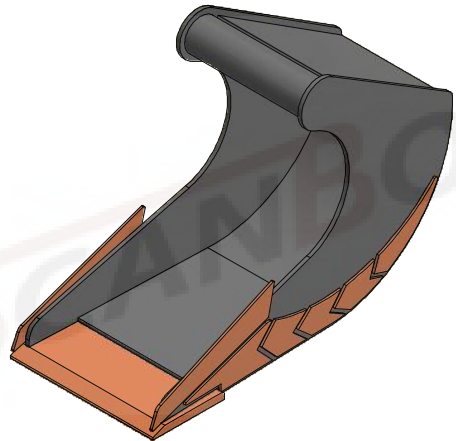







8 7 6 5 4 3 2 1



A

MATERIAL SPECIFICATION	
	ST52.3
	EN8D
	HB 400
	HB 450
	CASTALLOY STEEL

<b>SCANBOLT®</b>	
DESCRIPTION	40 CM CLAY BUCKET
MACHINE CLASS	5.0 - 7.5 TON
WEIGHT	94.6 Kg
HEAPED CAPACITY	110.4 LITERS

8 7 6 5 4 3 2 1